



Model	Size
VBB-2D-60	Two solid doors, 4.56 Cu-Ft
VBB-2D-60-G	Two glass doors, 4.56 Cu-Ft

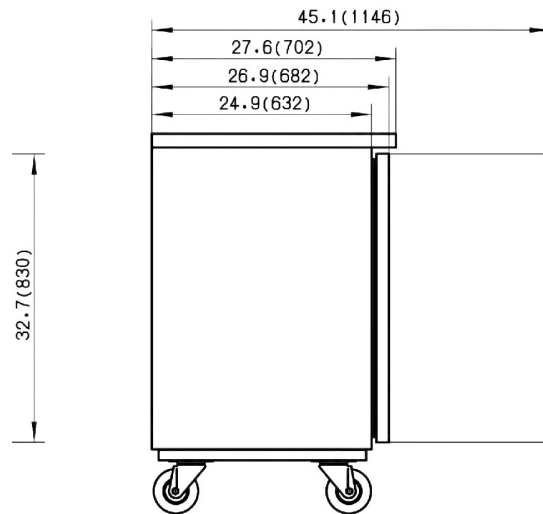
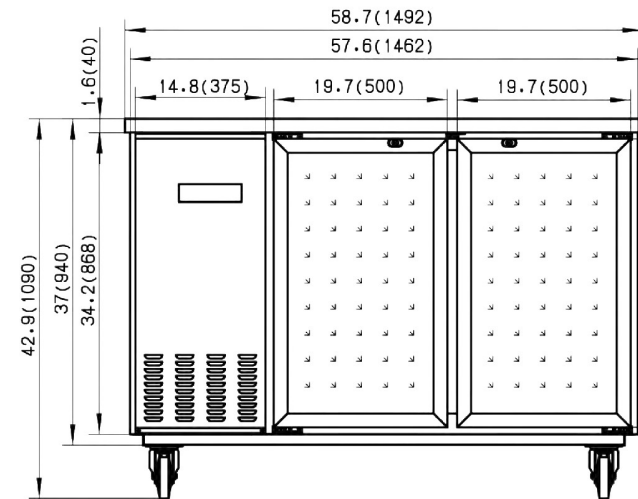


BOTTLE COOLERS

### STANDARD FEATURES

- Bright LED lighting standard on all back bar coolers.
- CFC free refrigerant and foam with self contained capillary tube system.
- Electronic thermostat and digital LED temperature display for accurate control and easy reading.
- Auto-defrosting.
- Adjustable shelves.
- Self-closing solid or glass doors
- Four casters- two front locking.
- Magnetic gasket can be replaced without a tool.
- 2 years limited warranty

Items	Description	Items	Description
External top	430 stainless steel	Temperature control	Solid State T-stat with Digital Display
Door	Solid or glass	Comply to standard	ANSI / NSF-7
External back	Painted black	Refrigerating system	Capillary tube
Cabinet internal	Stainless steel	Refrigerant	R13 4a
Internal floor	Stainless steel	Temp. Range in box	34°F – 38°F
Insulation	Polyurethane (CFC free)	Evaporator/Condenser	Aluminum + Copper
Lighting	LED	Condensing unit	Side Mount



Model SOLID DOOR / GLASS DOOR	# Of Doors	Storage CAP (Cu-ft)	Shelves	Cabinet Dim (in)			HP	Voltage /Hz / ph	Amp	NEMA Plug	Cord Lgth (ft)	Crated Weight (lbs)
				W	D	H						
VBB-2D-60	2	13.8	4	58.70	27.60	42.50	3/8	115/60/1	4.5	5-15P	8.2	353
VBB-2D-60-G	2	13.8	4	58.70	27.60	42.50	3/8	115/60/1	4.5	5-15P	8.2	353

As continued product improvement is a policy of Vionet, specifications are subject to change.